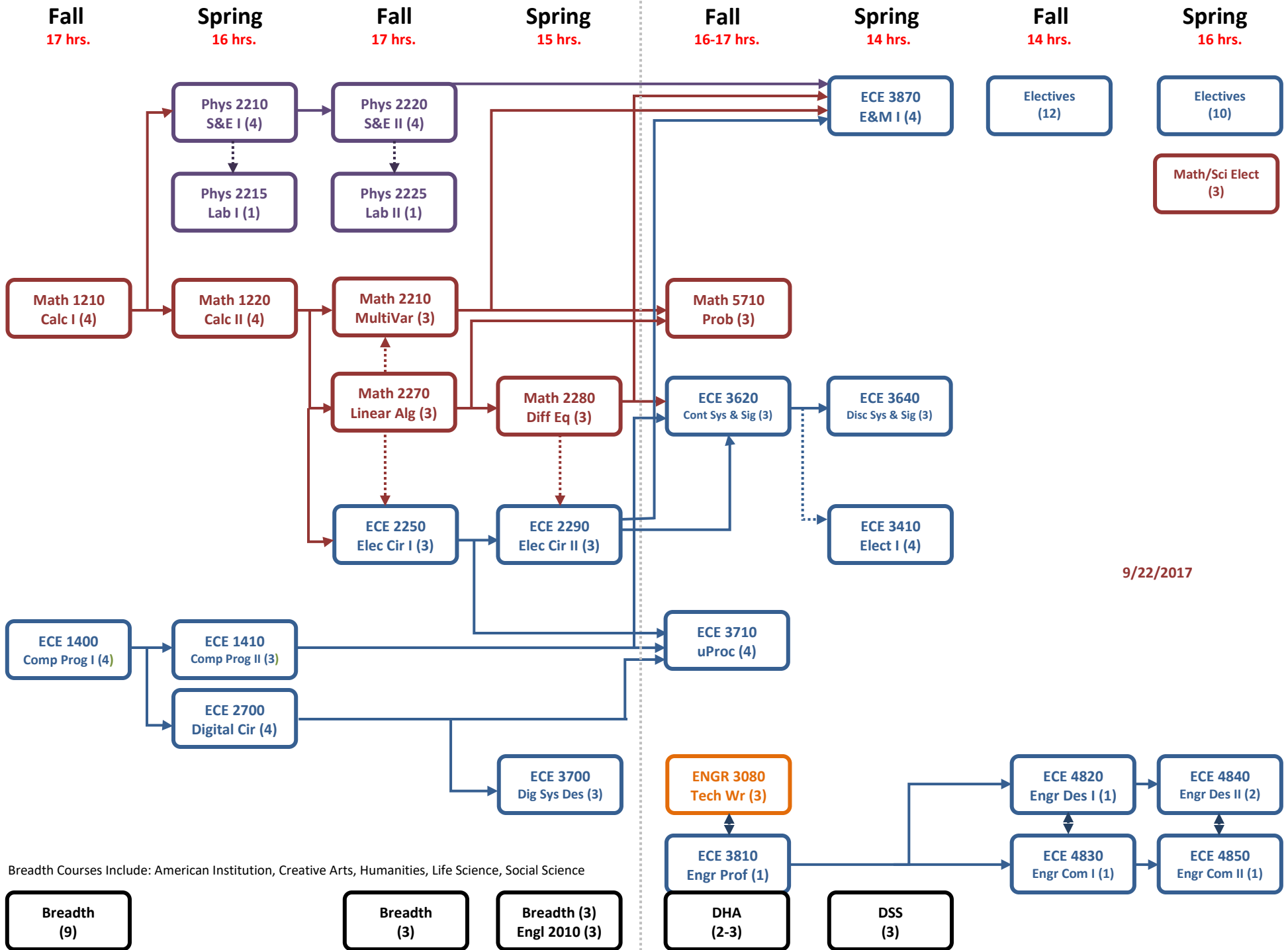
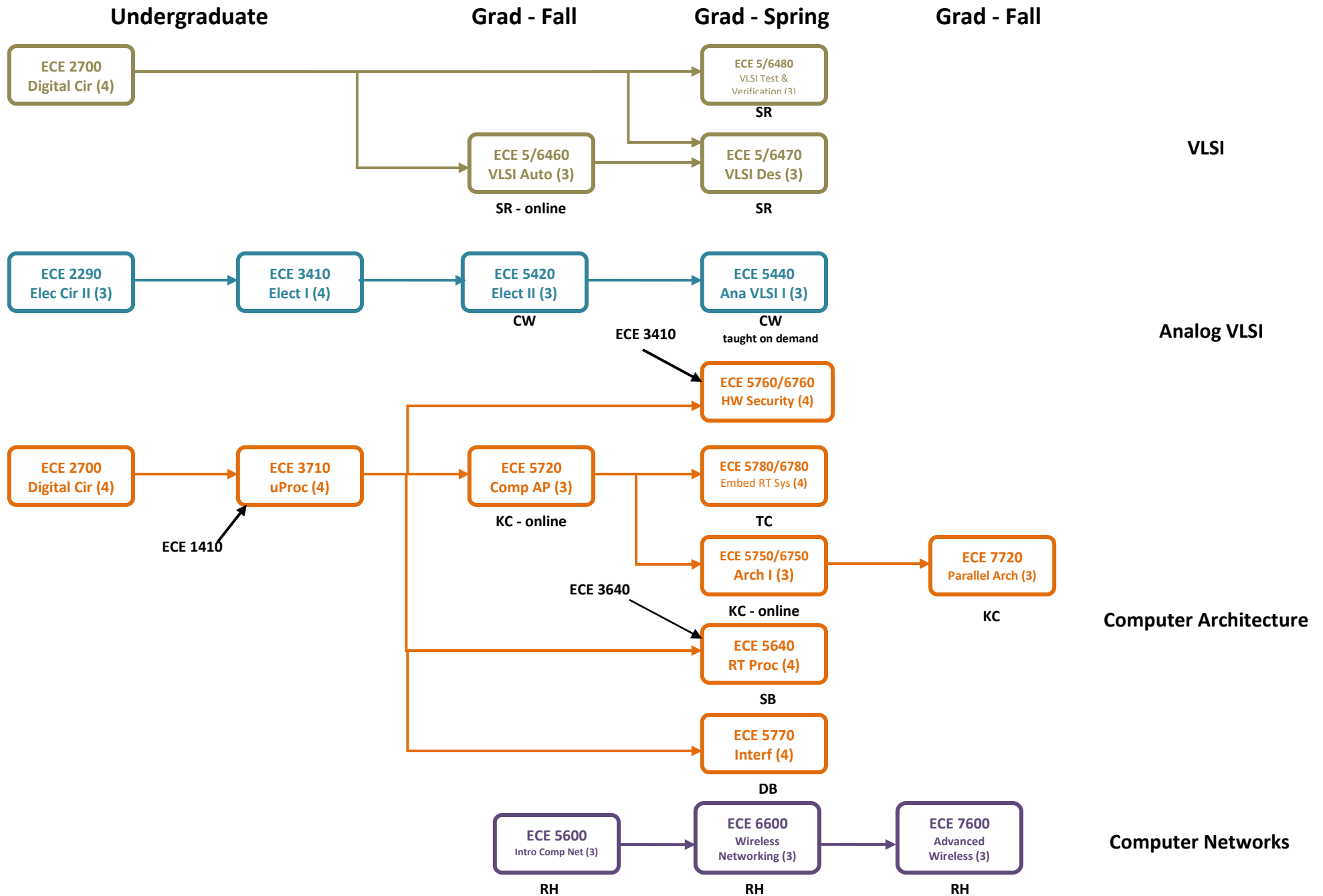


Electrical Engineering Core Curriculum

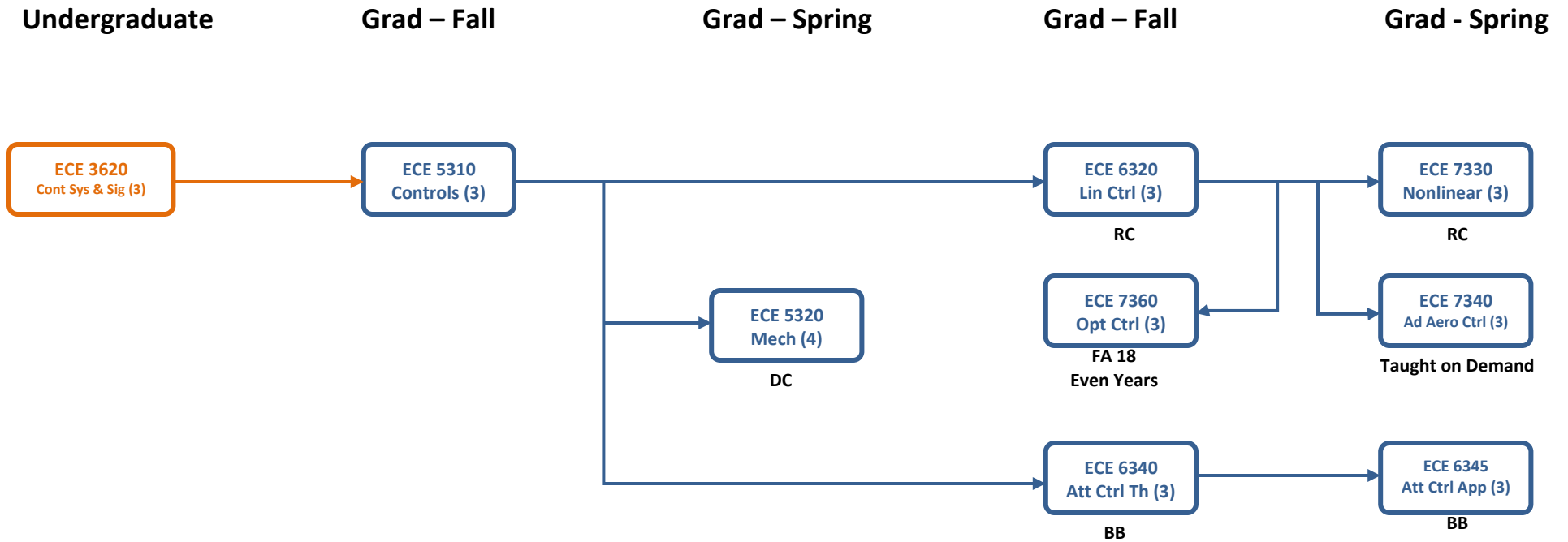


Breadth Courses Include: American Institution, Creative Arts, Humanities, Life Science, Social Science

Computer Engineering Focus Area



Control Systems Focus Area



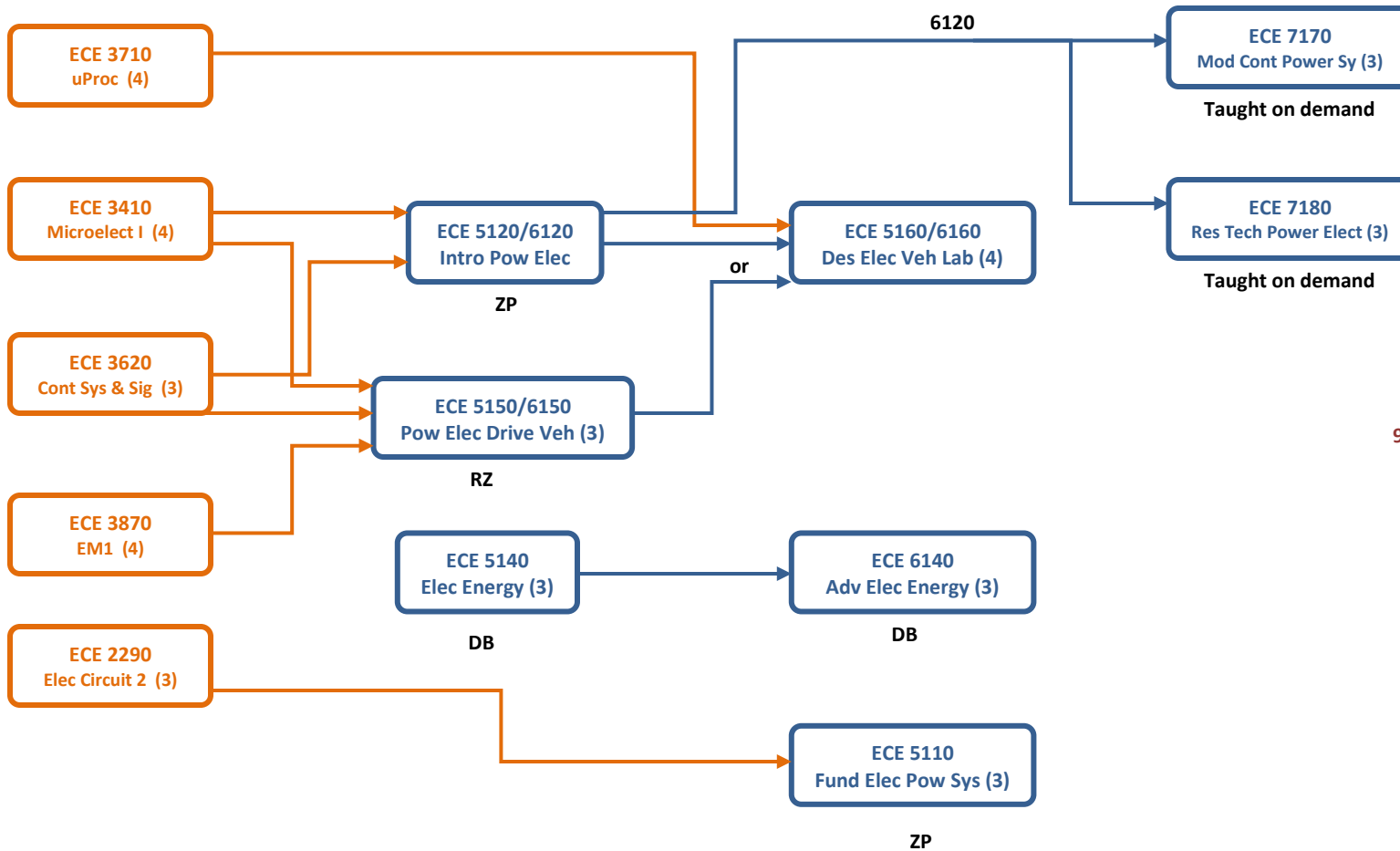
Updated
9/13/2017

Electrical Power / Energy Focus Area

Undergraduate

Grad – Fall

Grad – Spring



Updated
9/12/2017

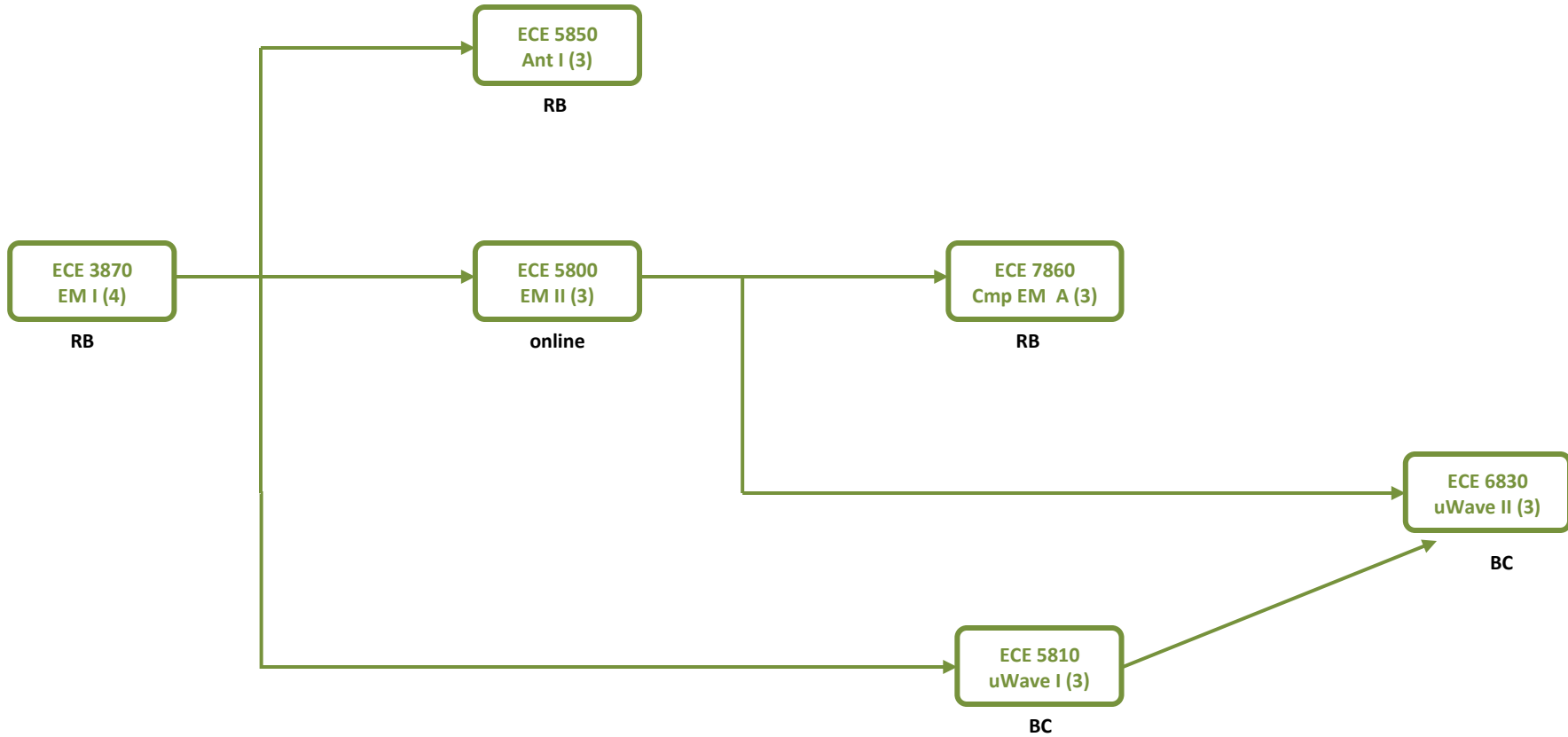
EM / Microwave Focus Area

Undergraduate

Grad – Fall

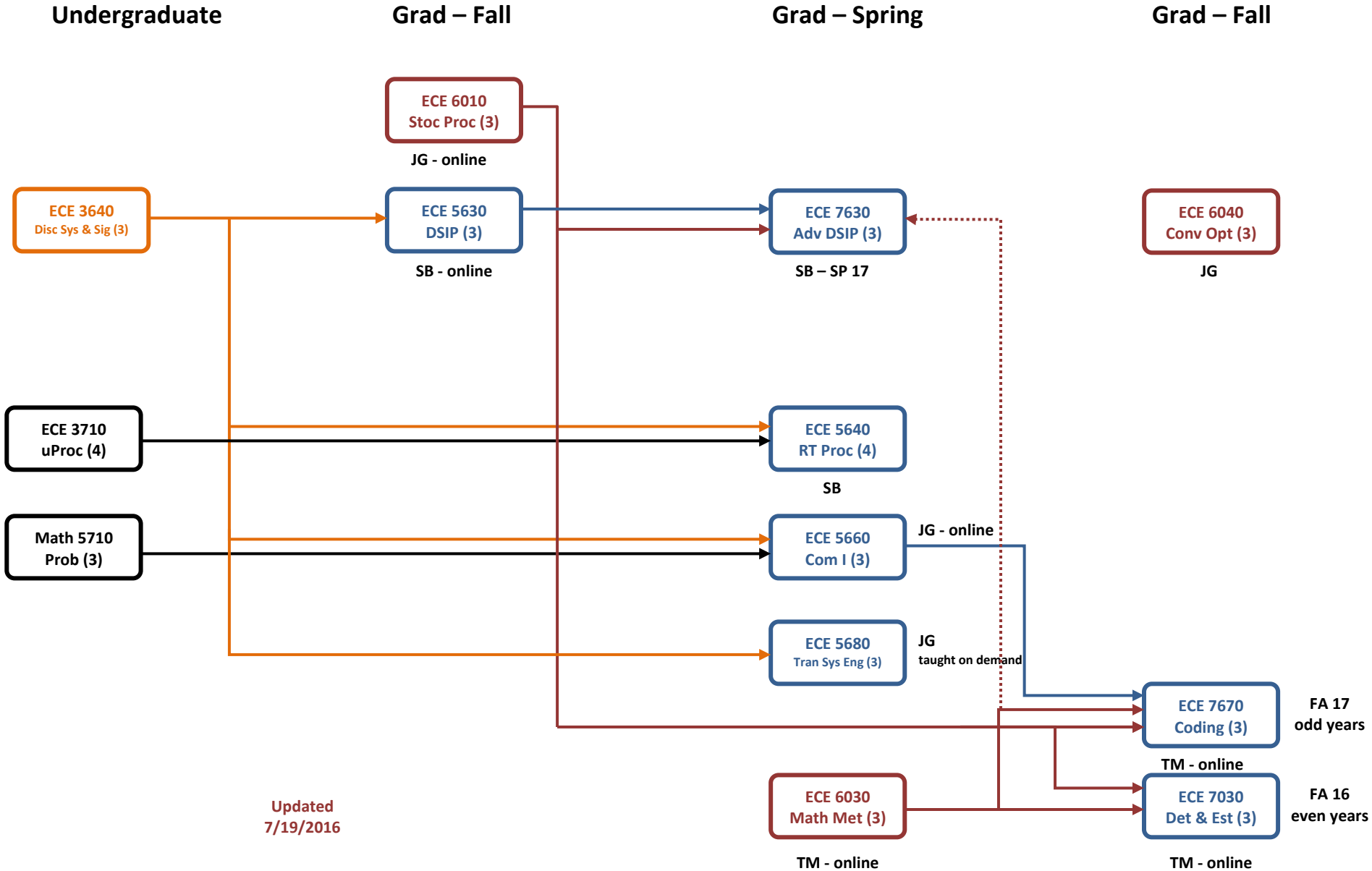
Grad – Spring

Grad – Fall



Updated
10/6/2017

Signals / Communications Focus Area



Updated
7/19/2016

Space Systems Focus Area

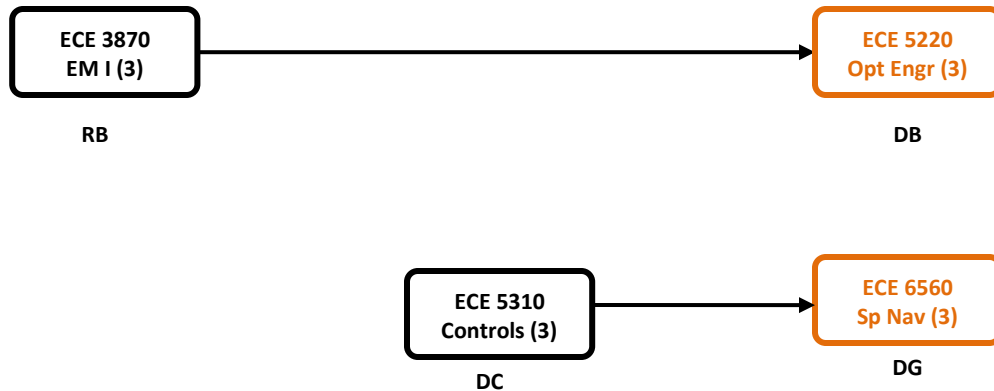
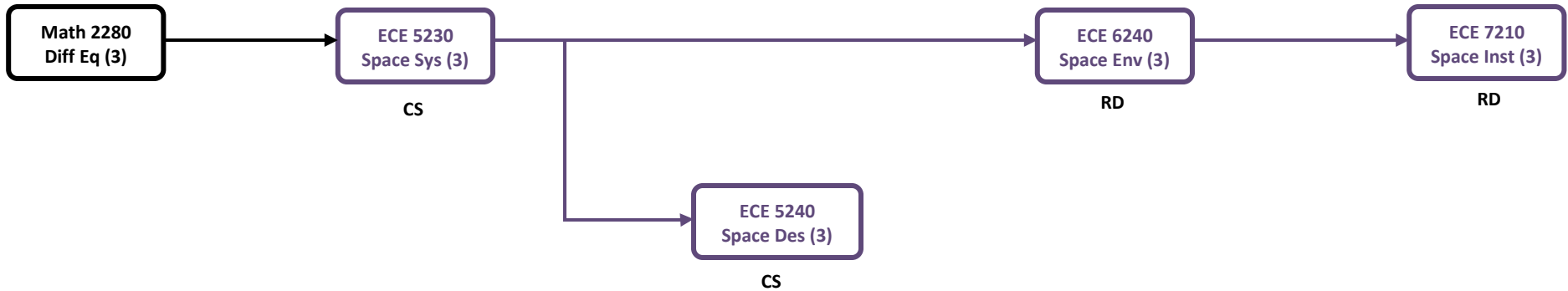
Undergraduate

Grad – Fall

Grad – Spring

Grad – Fall

Grad - Spring



Updated
10/6/2017